



The following project combines PRINT GOCCO with the versatile and simple to use Stamp Kit for Cloth. Here's a simple to follow guide that will transform any crafty person into a craft maker - You can easily substitute the colours and designs to suit your personalised needs.

HOW TO MAKE A PATCHWORK BAG

Equipment

- PRINT GOCCO PG-5, PG-11, B6 or PG Screen Printing Kit
- PRINT GOCCO Hand Stamper Unit (S-112 or S-113)
- 2 x Stamp Inks for Cloth Red (S-272)
- 2 x B6 Print Master - 1 for each design (S-489)
- 4 x Print Lamps - 2 for each Print Master (S-105)

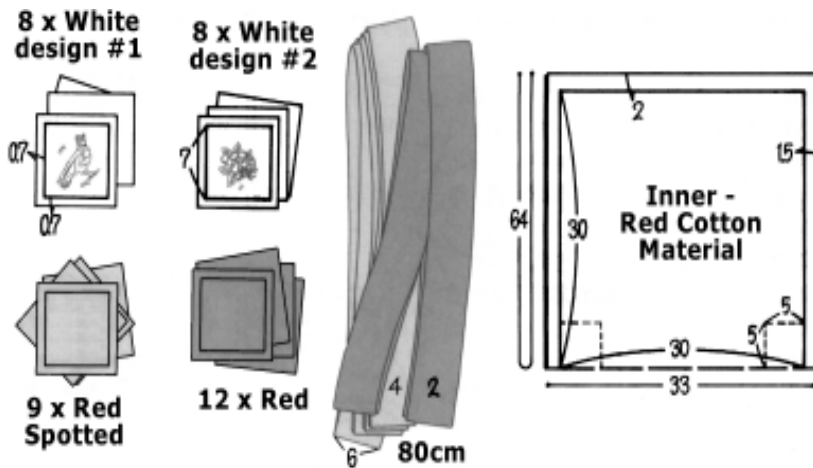
Materials

- 37 x Red Cotton material 80cm x 30cm
- Red spotted cotton material 80cm x 35cm
- White cotton material 50cm x 40cm

For the inner -

- Red Cotton material 64cm x 33cm
- Quilt batting 90cm x 65cm

Method

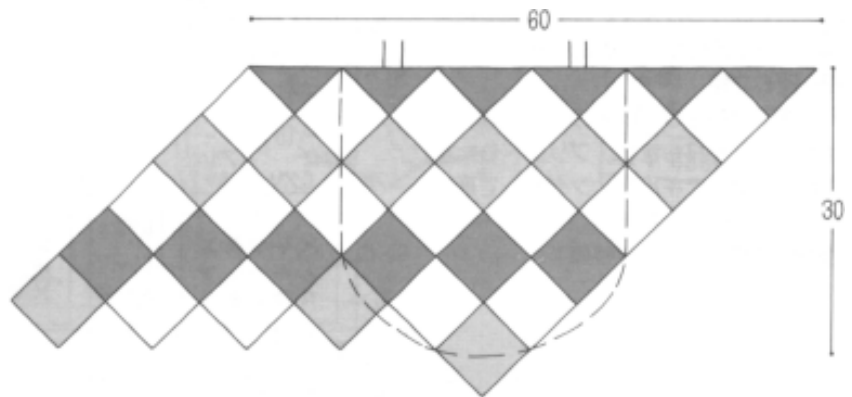


Step 1

Make the paper outline using stiff paper and place it over the material.

Mark with a lead pencil, cut out leaving a hem, and prepare the required number of pieces as the picture left illustrates.

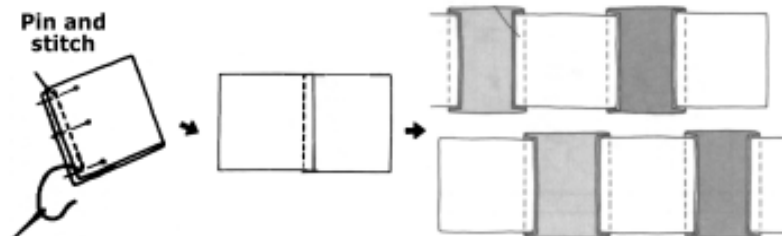
Print your design's onto the white cotton **before** you begin to create the bag.



How to print your designs

Details of how to create a Print Master and print using the Hand Stamper are available in the PG-5 manual, or you can view the video demonstrations on the PRINT GOCCO Training CD-ROM.

Ask your supplier for further information or you can view details on the Internet www.nehoc.com.au/training



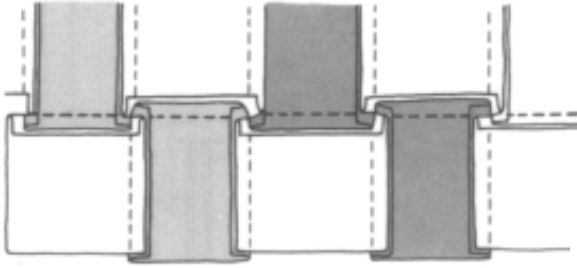
Step 2

Sew squares into strips, as shown left, with 1 Red, 1 White Print #1, 1 Red Spot, 1 White Print #2.

You can also vary the pattern buy changing the order e.g.: 1 Red, 1 White Print #1, 1 Red Spot, 1 White Print #2, 1 Red, 1 Red Spot, etc.

PROJECT SHEET #05 continued

Produced by NEHOC Australia P/L - PO Box 175, NARRABEEN NSW 2101 - E-mail: support@nehoc.com.au



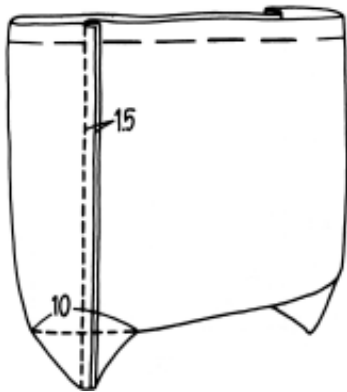
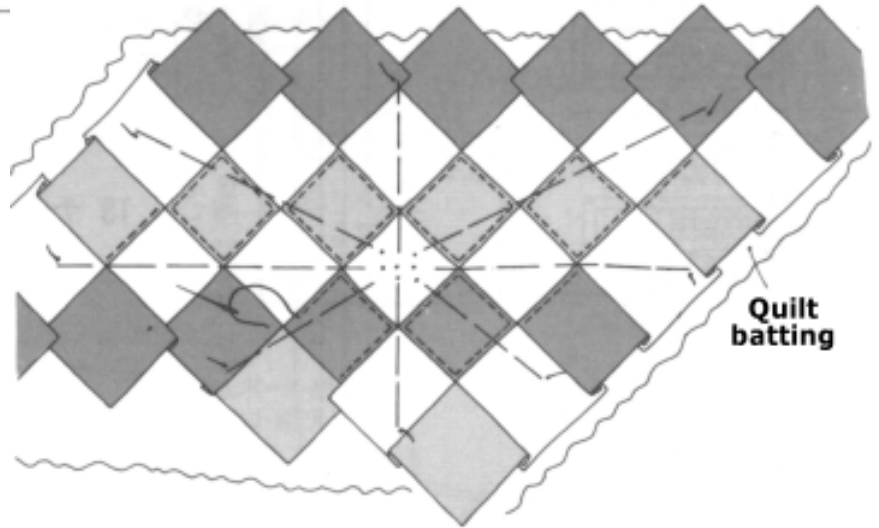
Step 3

Sew the single strips together to create double width strips as shown left.

Lightly iron the strips once finished to flatten and prepare for next stage.

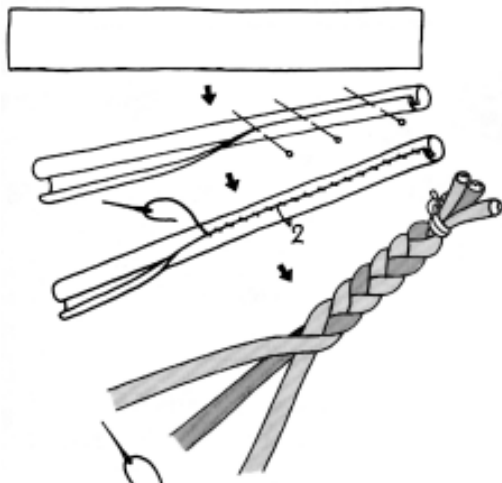
Step 4

As shown in the diagram right, place the finished patchwork over the quilt batting, and tack it from the centre outwards, quilting the areas other than the base.



Step 5

Sew both edges of the inner bag, and sew triangular gussets into the base.

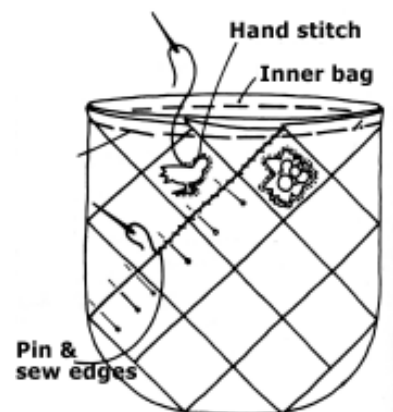


Step 6

Fold the outer diagonally and place it over the inner bag.

Sew the edges together using tiny ladder stitches.

Hand quilt around the printed areas using small even stitches.



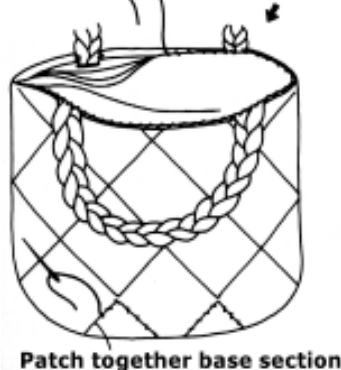
Step 7

Roll the material for the handles into tubes.

Sew together and then triple braid them, making two handles 40-42cm in length.

Step 8

Patch together the base section of the patchwork, and finish off the quilting. Insert the carry handles into the openings and finish off the inner bag.



More Projects are available
Log on and see what else you can create with the amazing PRINT
GOCCO system.

www.nehoc.com.au/training